

# Assembly Instructions: 0212-L

## IMPORTANT:

- ALL INSTALLATION WORK SHOULD BE DONE BY ACCREDITED PROFESSIONAL.
- SHUT OFF POWER SUPPLY AT FUSE OR CIRCUIT BREAKER!
- USE ONLY THE SPECIFIED BULBS. DO NOT EXCEED THE MAXIMUM WATTAGE!

For Customer Service, contact the place of purchase.

## IMPORTANT NOTE:

*The fabric cord is subject to fraying. Once frayed, the cord may be prickly to the touch. For your protection, the fabric cord has been packaged inside a plastic sleeve. Please do not remove the plastic sleeves until after installation is complete!*

## PREPARING FOR INSTALLATION

Remove all of the contents from the carton. See the important notes above. Remove the old fixture from the ceiling, including the old mounting strap.

1. Take the mounting strap assembly from the parts bag. Mounting strap (B) contains threaded holes. Two of mounting screws (A) should be attached to mounting strap (B). You may need to tighten nuts (C) that hold these screws in place.
2. Place mounting strap (B) over the junction box so that mounting screws (A) are vertical, and in alignment with the hole locations on the fixture's canopy (F). Secure mounting strap (B) to the junction box with mounting screws (D) and a screwdriver. Tighten the screws securely.
3. By measuring, determine the desired overall height of your fixture and determine how much of the woven fabric cord is needed to achieve the desired height.
4. To shorten the fixture, add at least 8 to 10 inches to your desired length before trimming the cord. To access the top of the fabric cord, slide the plastic sleeve down. Remember, do not remove the plastic sleeve.
5. Push the fabric cord through the center of the canopy. Lock the cord in place with screw (I).

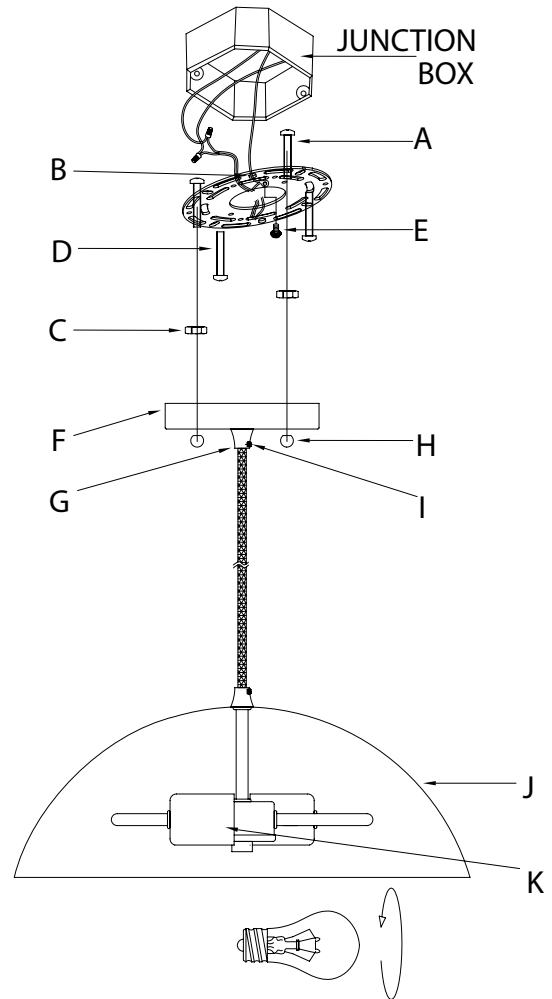
## CONNECTING THE WIRES

6. Refer to the wiring diagram and attach the fixture's wires to the power supply wires from the junction box. Connect Hot to Hot, Neutral to Neutral, and Ground to Ground. Twist the ends of the wire pairs together, and then twist on a wire connector. Make sure all twists are in the same direction. If there is no house ground wire coming from the junction box, locate ground screw (E) on the mounting bracket/mounting strap and wrap the fixture's ground wire around the ground screw. Use a screwdriver to tighten the top of ground screw (E) onto the wires and into the mounting bracket/mounting strap. Tuck the wires into the junction box.

## FINISHING THE INSTALLATION

7. Push canopy (F) up to the ceiling and tightly thread nuts (H) onto the exposed threads of mounting screws (A).
8. Install light bulbs (not provided) in accordance with the fixture's specifications. Do not exceed the maximum wattage.

Your installation is now complete. Remove the plastic sleeve from the fabric cord. Turn on the power and test the fixture.



How to Identify the Fixture's Wires			House Wires	
<b>Hot</b>	<b>Neutral</b>	<b>Ground</b>	Hot	Neutral
Smooth	Ribbed	Bare Metal, Green, or Green Inner Thread	Hot	Ground
Black	White		Neutral	
Black Inner Thread	White Inner Thread		Ground	

## CLEANING TIPS

Treat the fixture gently! Regular cleaning will reduce the need for deep cleaning. For regular cleaning, turn off the light and wipe down the fixture with a clean lint-free cotton or microfiber cloth. Never spray cleaner directly onto the fixture.